

RS0102

# Dynello Rewinder II

**DYNELLO™**

## DESCRIPTION

Dynello Rewinder II is a handheld electric strap winder and the second model in the Rewinder series and comes with a new DC-motor with increased torque.

The electric strap winder is specially designed for the full-time truckdriver, who uses lashing straps daily and want the straps rolled up quickly and the 'right way'.

Dynello Rewinder II can roll-up a lashing strap in less than 10 seconds and up to 300 straps on a single charge with the efficient lithium-ion battery. This is equivalent to 1-2 weeks of battery life with daily use.

Roll-up wet, worn, dirty and lightly frozen lashing straps. Built into the tool housing around the shaft is a water-repellent felt gasket that protects against water ingress.

Dynello Rewinder II is made for European Standard lashing straps with a maximum width of 50mm (typically 5 tons straps). Charge the tool with charger 230V AC and car charger 12/24V DC, both included.

Dynello Rewinder II is CE certified.



## SPECIFICATIONS

- Fits 0-50 strap-width
- Lithium-ion battery
- Battery 12V 1.3Ah
- Speed (no load) ~250 RPM
- Shaft sealed with gasket
- Direct charging in battery
- Sales-ready cardboard packaging
- Weight (tool): 750g

## INCLUSIVE

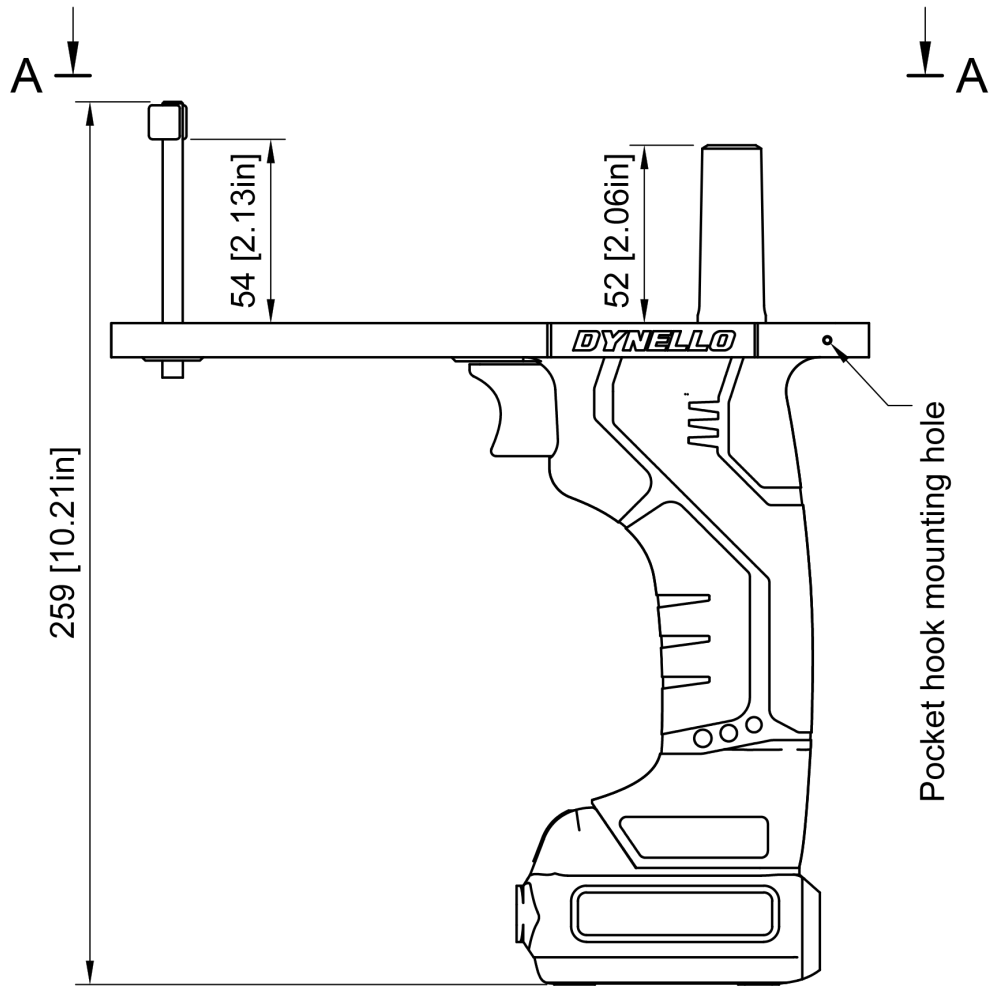
- |                |                                       |
|----------------|---------------------------------------|
| 1 x RS0102     | Dynello Rewinder II (tool)            |
| 1 x RS0101-010 | Battery 12V 1.3Ah Li-Ion              |
| 1 x RS0101-018 | Charger 230V                          |
| 1 x RS0101-034 | Car charger 12-24V DC                 |
| 1 x RS0201     | Dynello Clip™ 50mm                    |
| 1 x RS0101-035 | Pocket hook (NEW! Valid from 05/2022) |

## CODES

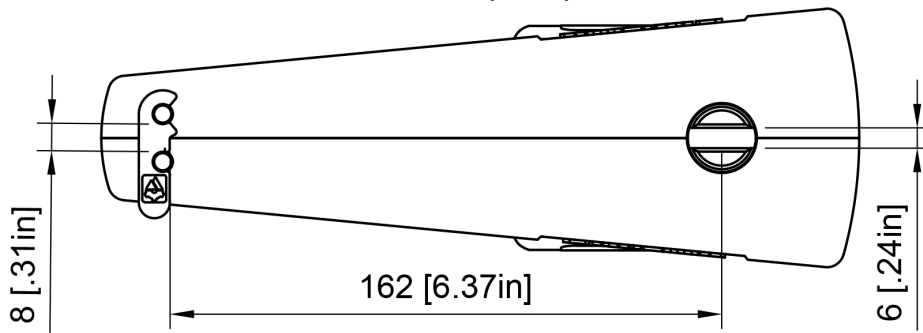
- |                      |               |
|----------------------|---------------|
| DYNELLO ART. NO.:    | RS0102        |
| GTIN-13 (EAN-13):    | 5700002038975 |
| UNSPSC (v. 19.0501): | 27112700      |
| SUGGESTED HS-CODE:   | 8479 89 97 90 |



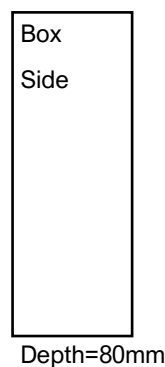
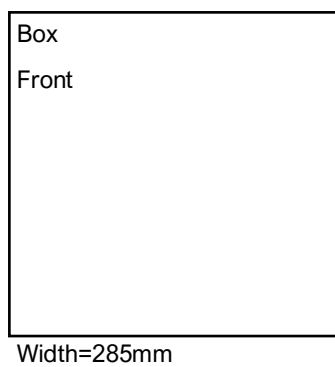
# Dynello Rewinder II



A-A (1:2)



Unit: mm



Height=252.5mm